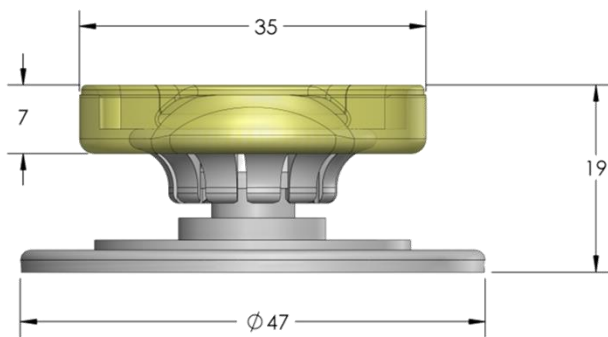
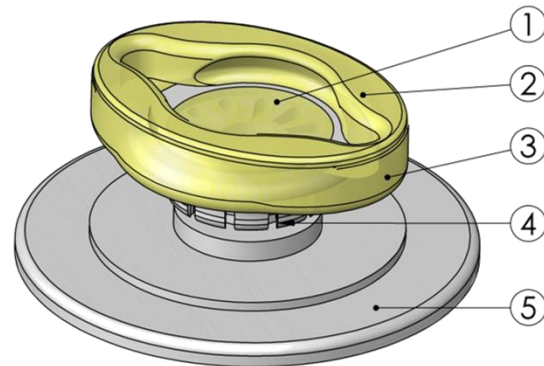
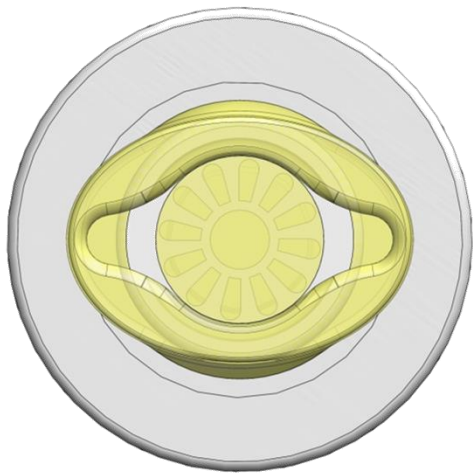


MINI-HOLDER

INSTRUCTIONS FOR USE

The MINI HOLDER features a socket receptacle to receive IONIKO anterior segment models like RHEXIS, KERATO, OKULO-AS, SCHLEMM and MIGS-SC. A flexible eyelid retains the segment anteriorly against the socket base. The MINI HOLDER has flexible neck to simulate natural eye movement, and it is coupled to a suction cup for fixation to any flat surface.

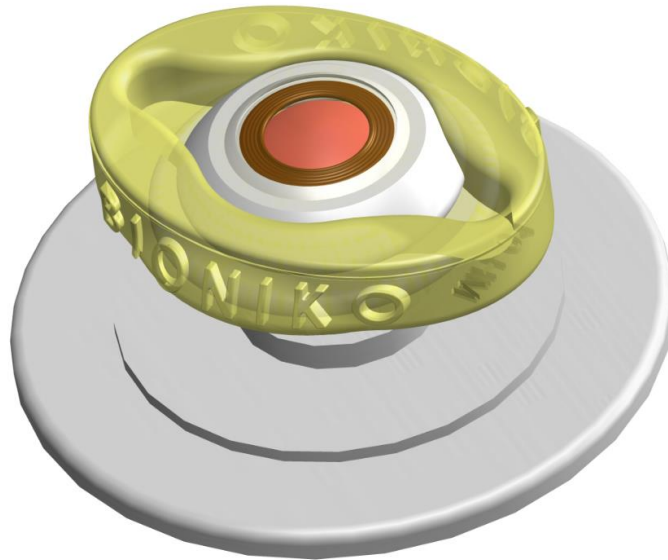


- 1- SOCKET BASE
- 2- FLEXIBLE EYELID
- 3- HOLDER BODY
- 4- COUPLING - NECK
- 5- SUCTION CUP

ASSEMBLY

ASSEMBLY: Place MINI HOLDER on smooth surface and press down to engage suction. Slide ANTERIOR SEGMENT under the eyelid into place. Do not compress models, peel eyelid instead.

DISASSEMBLY: Remove ANTERIOR SEGMENT by leveraging out with a blunt object through either "corner" of the eye. DO NOT PULL ON MINI HOLDER TO RELEASE SUCTION. Lift up on suction release tab to remove from surface.



INSTRUCTIONS FOR CARE

Follow these recommendations to maximize the life of your models:

- Store in a **cool, dry** and **dark** place (a drawer will be fine). Extended exposure to sunlight (UV) may affect material properties. Prolonged exposure to humidity or high temperatures may adversely affect material properties.
- Do not place **heavy objects** on top of the model. Prolonged compression may deform the model.
- Clean with anti-bacterial soap and water. Do not soak the models for cleaning. Avoid using alcohol or bleach. Gently scrub with cotton swab if necessary.
- Air or blow dry before storing. **Do not store wet.**