

# CHAMBER VIEW



BIONIKO  
**INSTRUMENTS**

Positioning system for viewing chambers

Align and inspect tissue within  
viewing chambers

Designed with 6 degrees of  
freedom for perfect alignment

Facilitates use of slit lamp  
and other ophthalmic  
instruments

Easily mounted to any standard  
chin-rest post

For use with: B+L®, Krolman®,  
Numedis (Life4C) and Stephens  
corneal viewing chambers



# CHAMBER VIEW

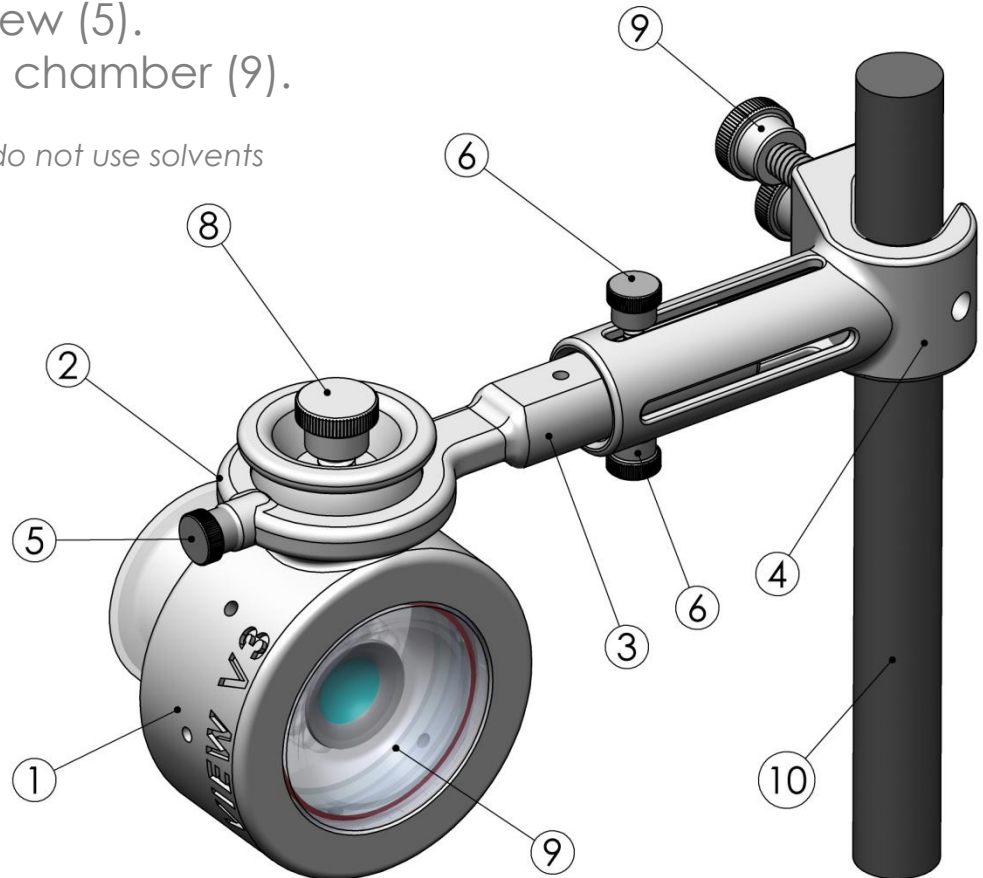


BIONIKO  
**INSTRUMENTS**

## INSTRUCTIONS FOR USE

1. Secure clamp (4) to instrument post (10) with thumb screws (7).
2. Extend telescopic arm (3) to desired length and secure with arm screws (6).
3. Insert viewing chamber (9) in basket (1).
4. Adjust basket within swivel ring (2) and secure basket screw (5).
5. Aim instrument at chamber (9).

- Clean with soap and water, do not use solvents
- For research use only



- 1 - BASKET
- 2 - SWIVEL RING
- 3 - TELESCOPIC ARM
- 4 - CLAMP
- 5 - BASKET SCREW
- 6 - ARM SCREW(S)
- 7 - CLAMP SCREW(S)
- 8 - CHAMBER SCREW
- 9 - CHAMBER
- 10 - INSTRUMENT POST