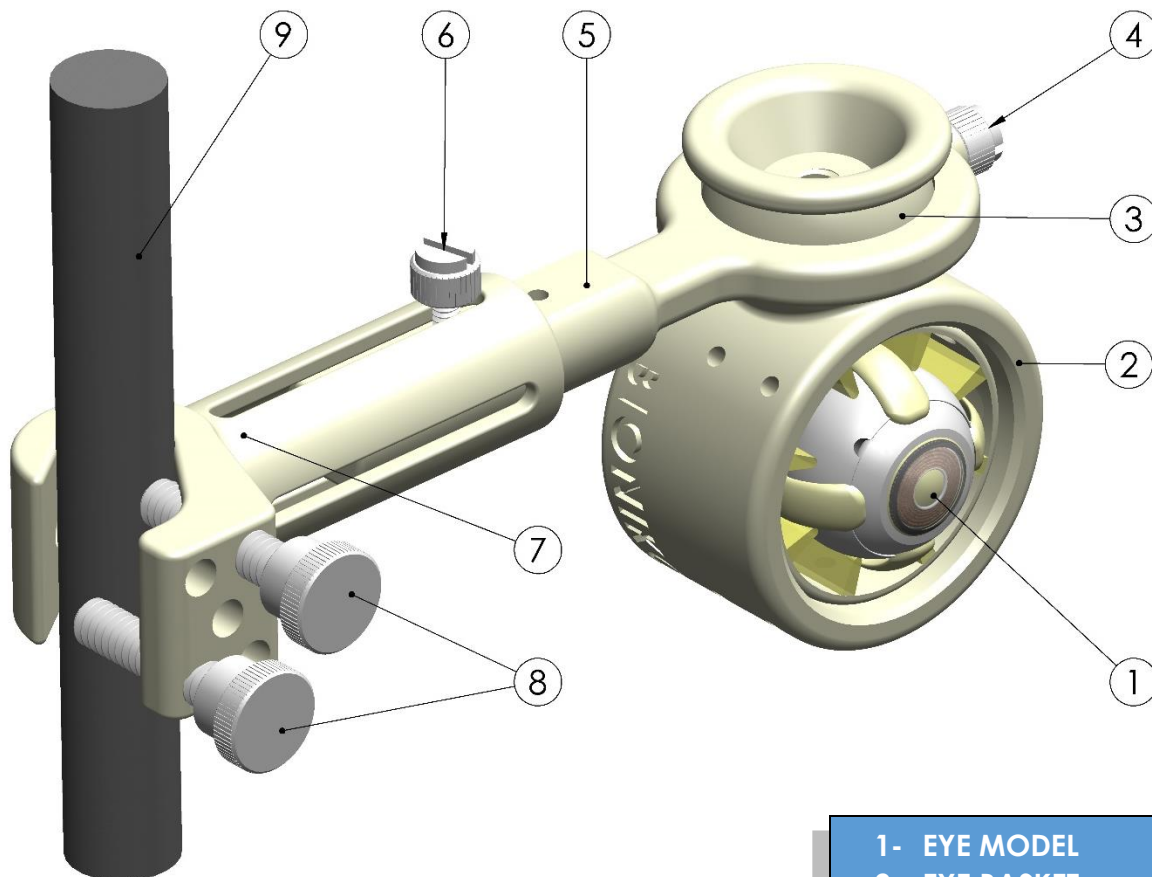


# MODEL VIEW

## INSTRUCTIONS FOR USE

The MODEL VIEW allows examination of BIONIKO models under the slit-lamp or other diagnostic equipment with standard chinrest posts. Designed with 6 degrees of freedom, you can obtain precise and steady alignment of the eye for practicing on your equipment.



- 1- EYE MODEL
- 2- EYE BASKET
- 3- BALL JOINT
- 4- BALL SET SCREW
- 5- EXTENSION ARM
- 6- EXTENSION SET SCREW
- 7- CLAMP
- 8- CLAMP SCREWS
- 9- CHINREST POST

## ASSEMBLY

Insert Eye model in BASKET. The flexible protrusions will hold the eye in position. Anterior segments can be installed on the backside of the basket.

Attach MODELVIEW CLAMP to a standard chinrest post, and secure with both CLAMP SCREWS. Swap clamp screw holes if required, to adjust for post size.

Loosen the extension and ball screws and position the basket where desired.

Tighten the extension and ball screws to fix the eye in position and proceed to perform examination

## INSTRUCTIONS FOR CARE

Follow these recommendations to maximize the life of your models:

- Store in a **cool, dry** and **dark** place (a drawer will be fine). Extended exposure to sunlight (UV) may affect material properties. Prolonged exposure to humidity or high temperatures may adversely affect material properties.
- Do not place **heavy objects** on top of the model. Prolonged compression may deform the model.
- Clean with anti-bacterial soap and water. Do not soak the models for cleaning. Avoid using alcohol or bleach. Gently scrub with cotton swab if necessary.
- Air or blow dry before storing. **Do not store wet.**